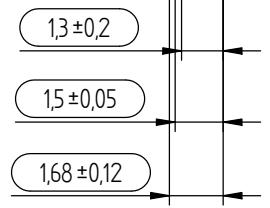
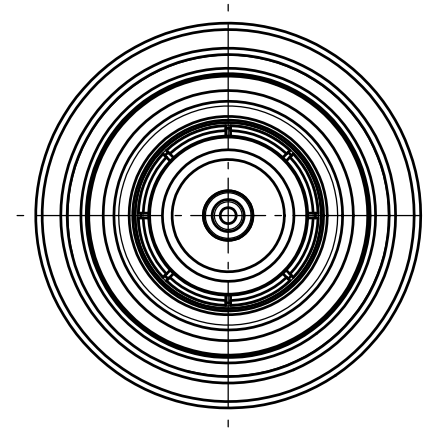
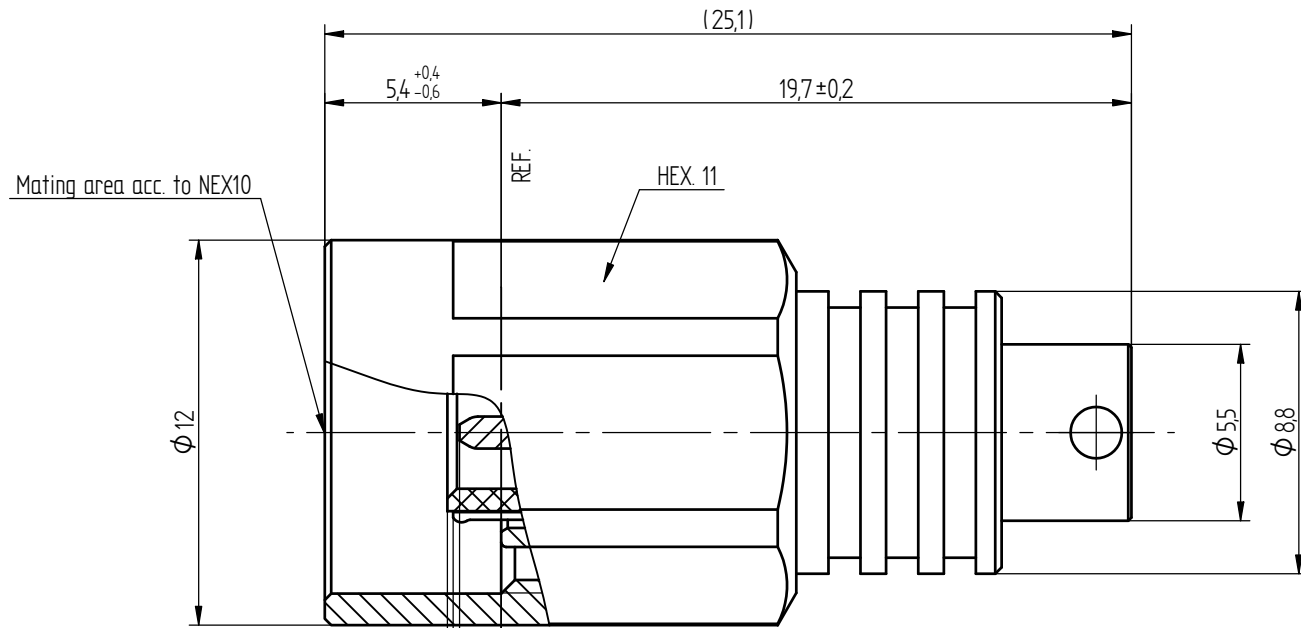


Revision history				
Change ID	Rev.	Alteration	Date	Name
PEC_200000491_02	a	add note	11/11/20	dni



Don't do high-voltage test!
 Only resistance measurement 50 Ω
 VSWR max: 1,106 DC to 4GHz
 1,135 4GHz to 6GHz



Projection - ISO 5456 	Unit system - Metric All dim. in [mm]	General tolerance ISO 2768 mH	Assembly instruction	Document type Acceptance drawing	
Created by dni	Approved by Beck.Lu	Title NEX10 plug termination	Drawing number 7738.NEX.1010.00Z		Scale 10:1
		Supplementary title NEX10 plug termination	Rev. a	Date of issue 14/07/2020	Lang. EN
			Sheet 1/1		

ISO 16016
 ALL copyrights reserved. This drawing can neither be copied nor made available to third parties or competitor companies without our written permission.