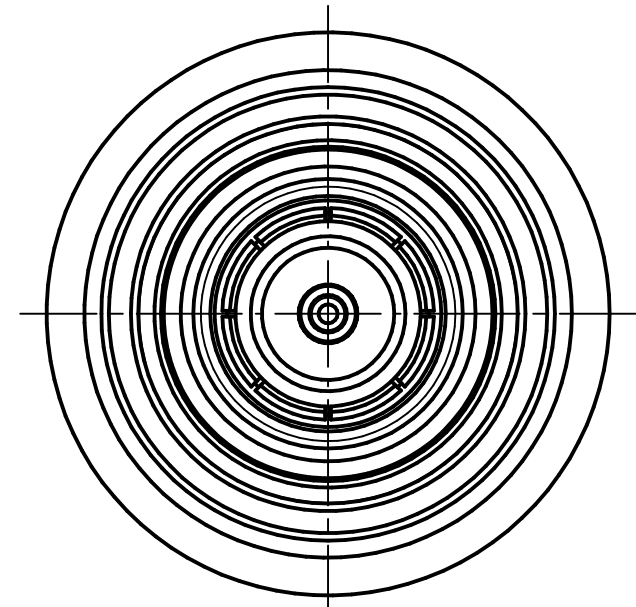
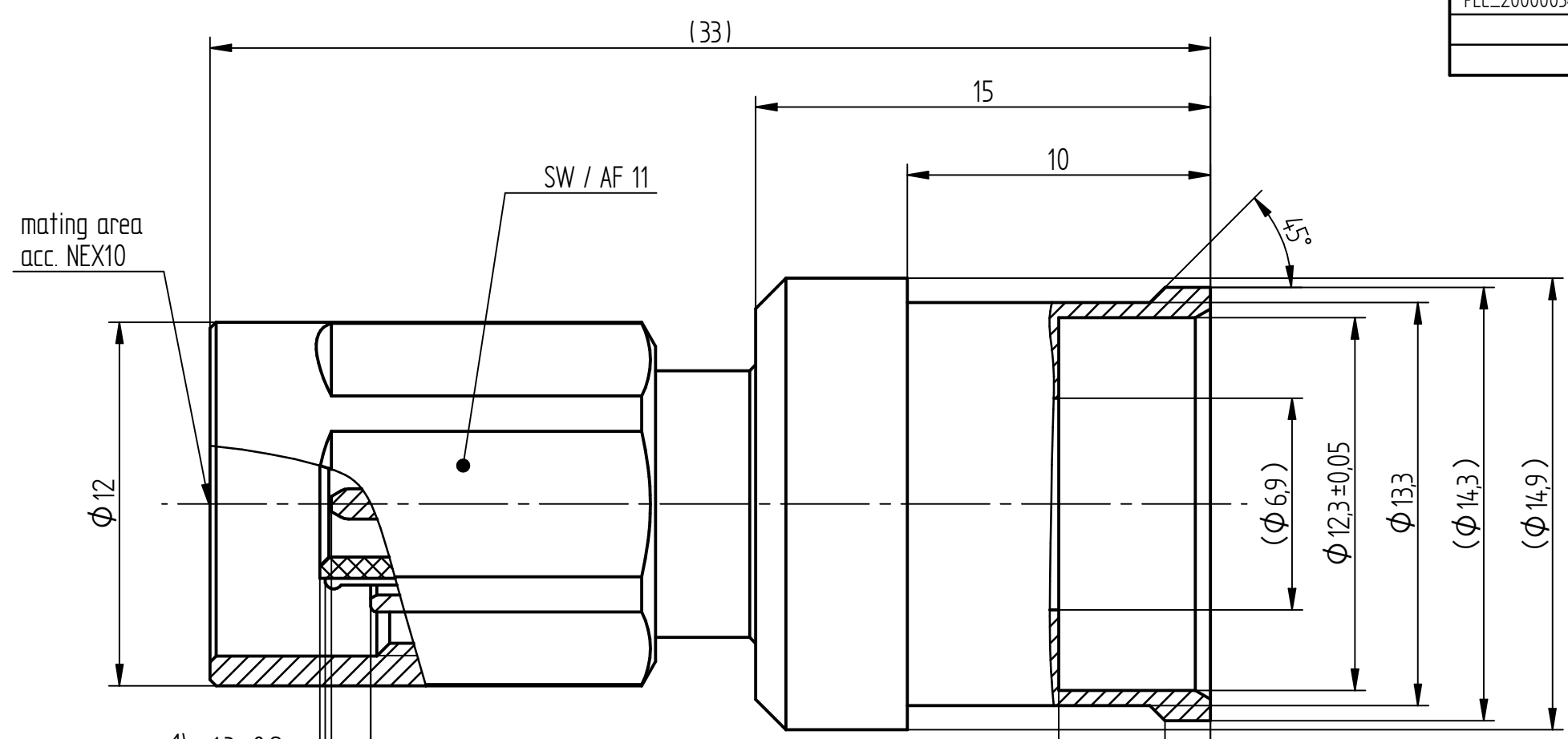
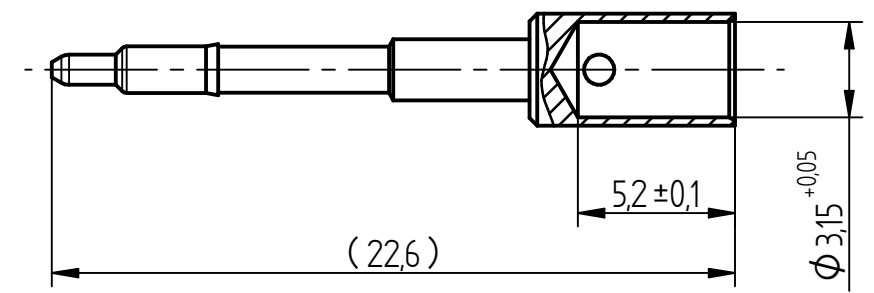


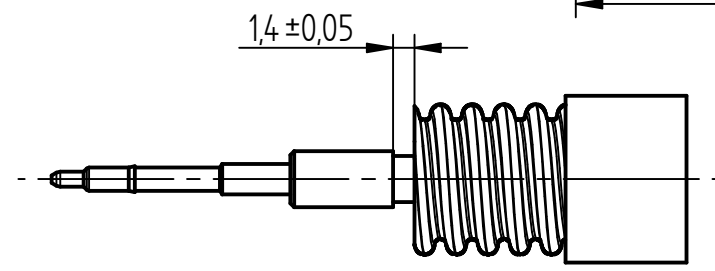
Revision history				
Change ID	Rev.	Alteration	Date	Name
PEC_200000541_01	a	mod. housing	20.07.21	dni
PEC_200000541_02	b	mod. ring, housing, nut	26.10.21	dni



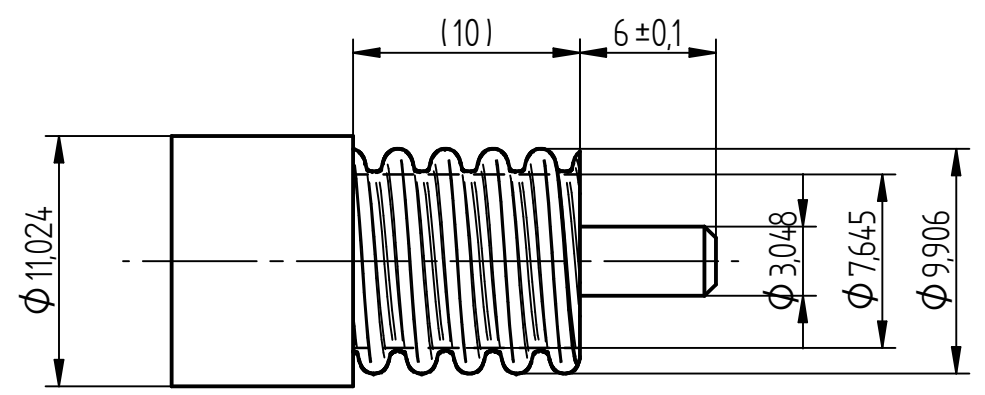
- 1) 1,3 ± 0,2
contact socket
- 1,5 ± 0,05
spring basket
- 1,68 ± 0,12
insulator



stripping dimension for
LSF2-50 3/8" superflexible Foam-Dielectric coaxial cable
center contact: solder
outer contact: solder



1) Dimension after cable assembling (1,3 ± 0,2).



Projection - ISO 5456 	Unit system - Metric All dim. in [mm]	General tolerance ISO 2768 mH	Note	Document type Acceptance drawing			
Created by dni	Approved by	Title NEX10 cable plug	Drawing number 7783.NEX1410.08Z		surface code	Scale 3:1	
IMS CONNECTOR SYSTEMS		Supplementary title NEX10 cable plug	Rev. A 03	Date of issue 19.04.2021	Lang. EN	Sheet 1/1	

ISO 16016
All copyrights reserved. This drawing can neither be copied nor made available to third parties or competitor companies without our written permission.