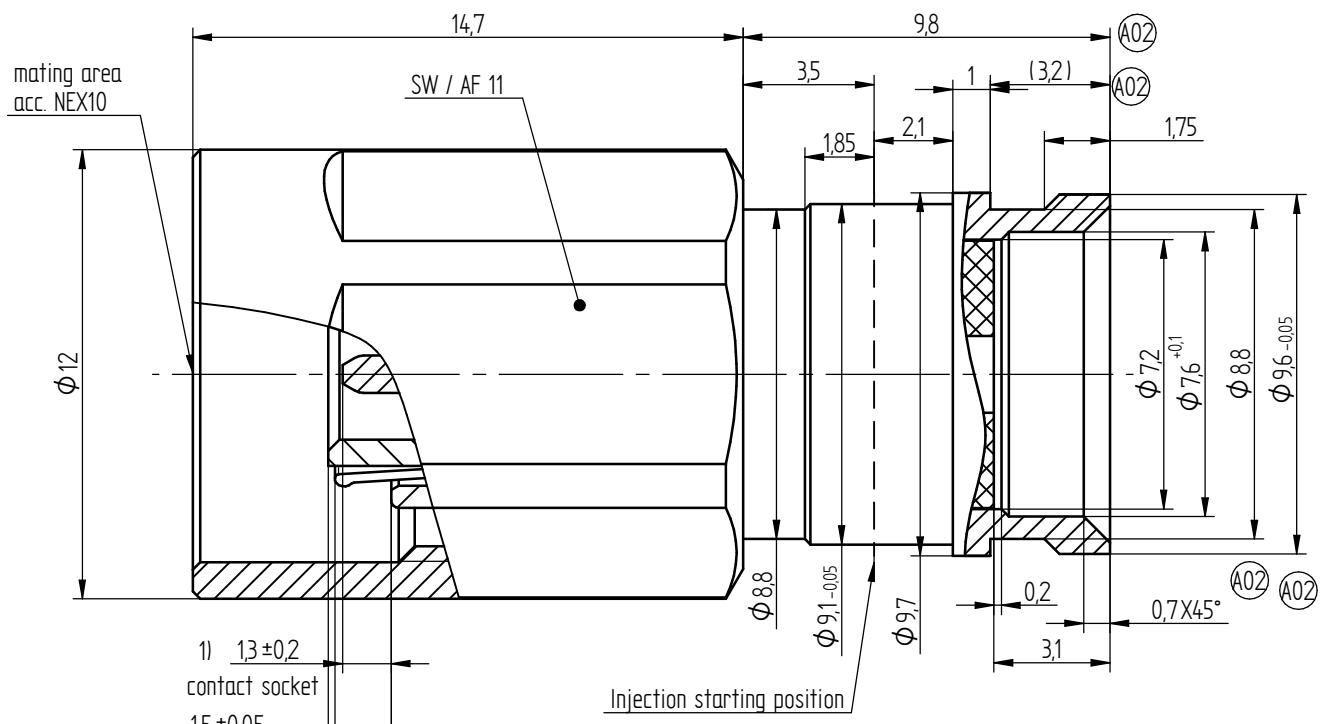


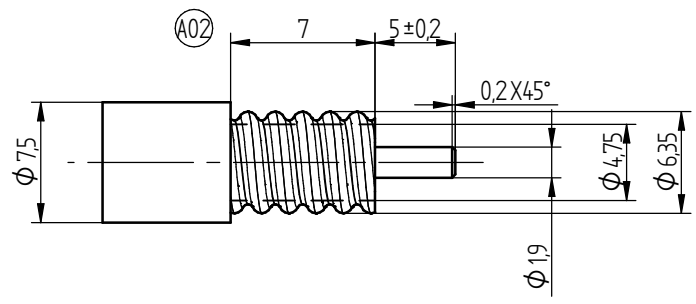
Status: Development

ISO 16016  
 All copyrights reserved. This drawing can neither be copied nor made available to third parties or competitor companies without our written permission.

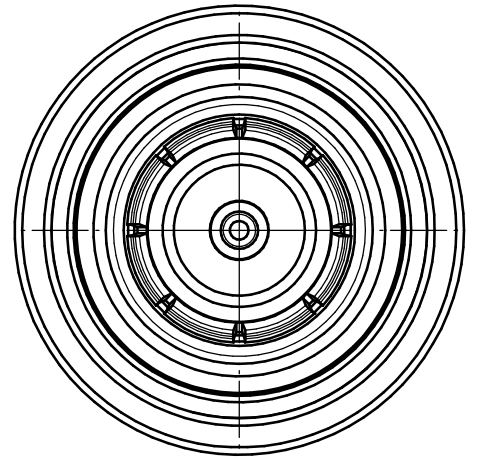


- 1) 1.3±0.2 contact socket
- 1.5±0.05 spring basket
- 1.68±0.12 insulator

stripping dimension for HRCAY-50-5 1/4" superflexible coaxial cable  
 center contact: solder  
 outer contact: solder



Revision history				
Change ID	Rev.	Alteration	Date	Name
PEC_20000559_01	A02	Modify dimension	10/04/23	jun.chen



1) Dimension after cable assembling (1.3±0.2).

Projection - ISO 5456 	Unit system - Metric All dim. in [mm]	General tolerance ISO 2768 mH	Note	Document type Acceptance drawing			
Created by dni	Approved by Dony Ni	Title NEX10 Cable mount plug	Drawing number 7797.NEX1410.08Z		surface code	Scale 3:1	
			Supplementary title NEX10 Cable mount plug	Rev. A 02	Date of issue 15/06/2021	Lang. EN	Sheet 1/1