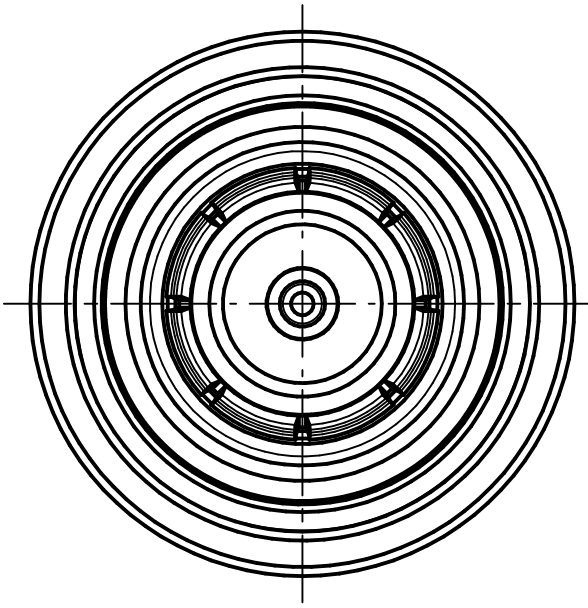
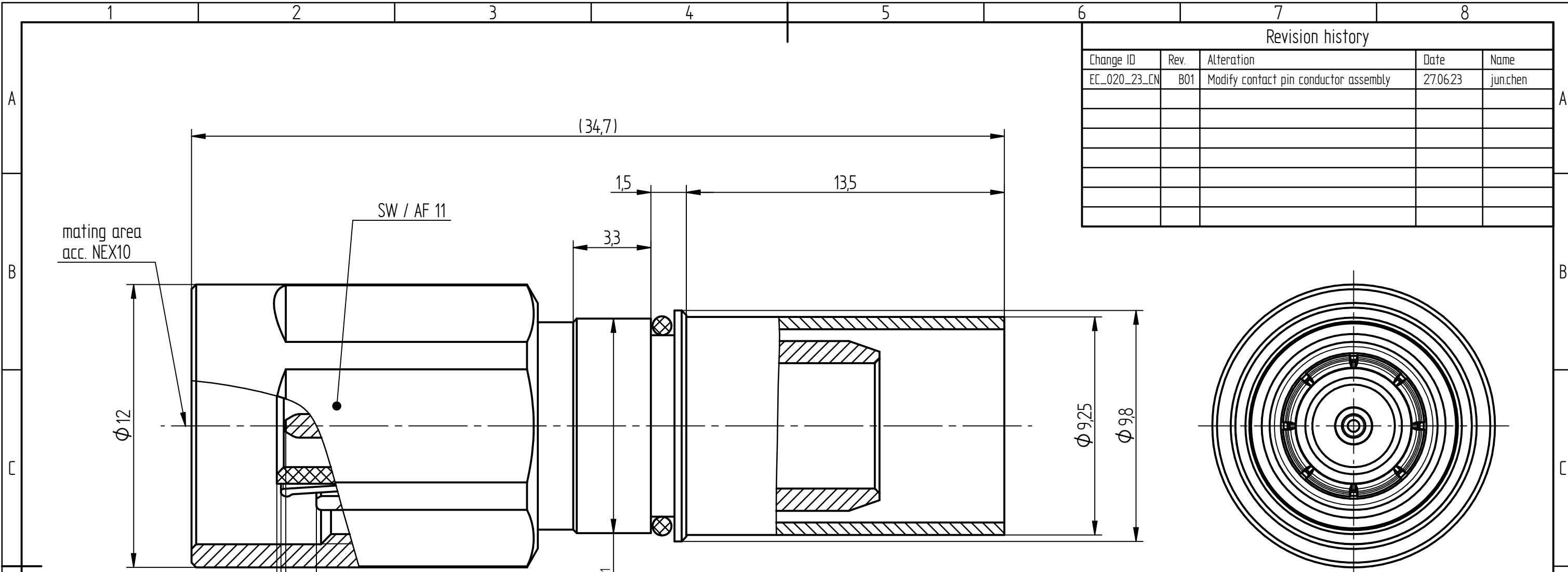
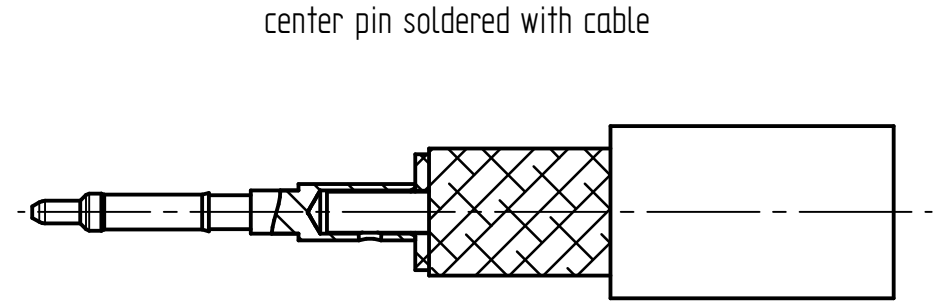


Status: Release

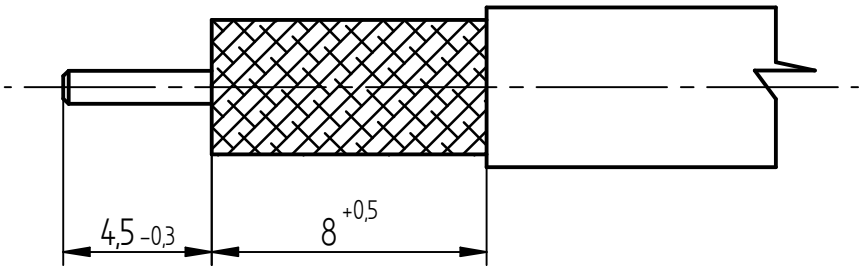
Revision history				
Change ID	Rev.	Alteration	Date	Name
EC_020_23_CN	B01	Modify contact pin conductor assembly	27.06.23	junchen



- 1) 1,3 ± 0,2  
contact socket
- 1,5 ± 0,05  
spring basket
- 1,68 ± 0,12  
insulator



recommend cable stripping dimension for cable HF-300



1) Dimension after cable assembling (1,3 ± 0,2).

HF-300	∅1,8 ± 0,02	∅4,8 ± 0,1	∅5,6 ± 0,2	∅7,6 ± 0,2	center conductor	outer conductor
cable type	center conductor	dielectric	shields	jacket	solder (B01)	crimp  H=8,15mm
Projection - ISO 5456 	Unit system - Metric All dim. in [mm]	General tolerance ISO 2768 mH	Note	Document type Acceptance drawing		
Created by dni	Approved by dni	Title NEX10 cable plug	Drawing number 7805.NEX.1310.08Z		surface code	Scale 5:1
IMS CONNECTOR SYSTEMS			Supplementary title NEX10 cable plug	Rev. B 01	Date of issue 16.08.2021	Lang. EN
				Sheet 1/1		

ISO 16016 All copyrights reserved. This drawing can neither be copied nor made available to third parties or competitor companies without our written permission.

