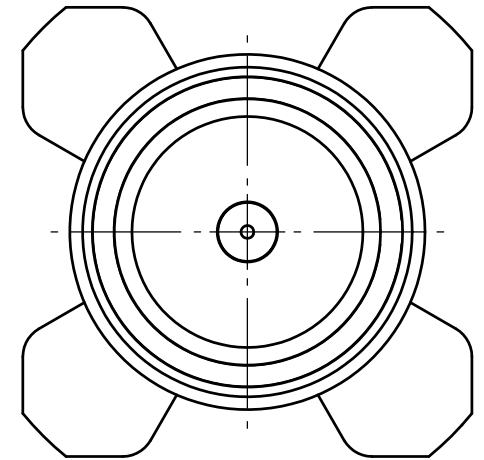
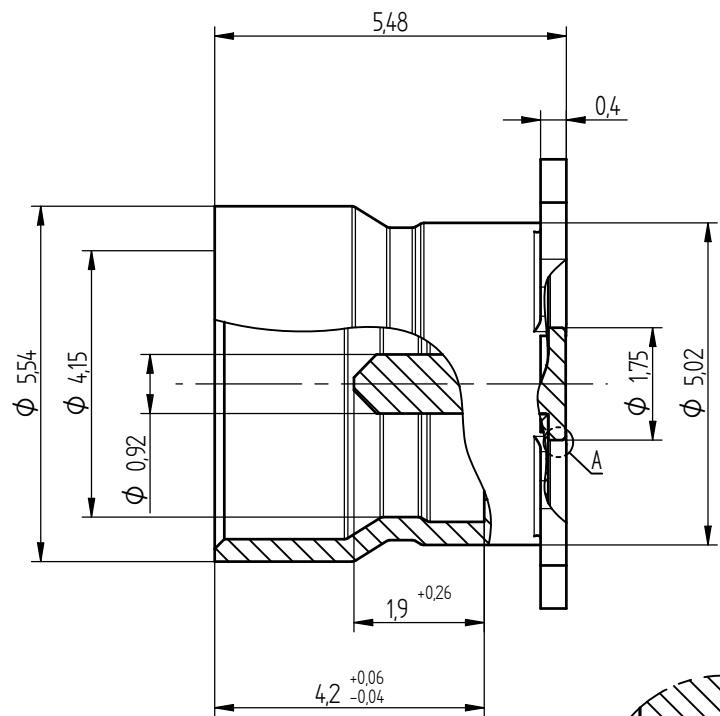
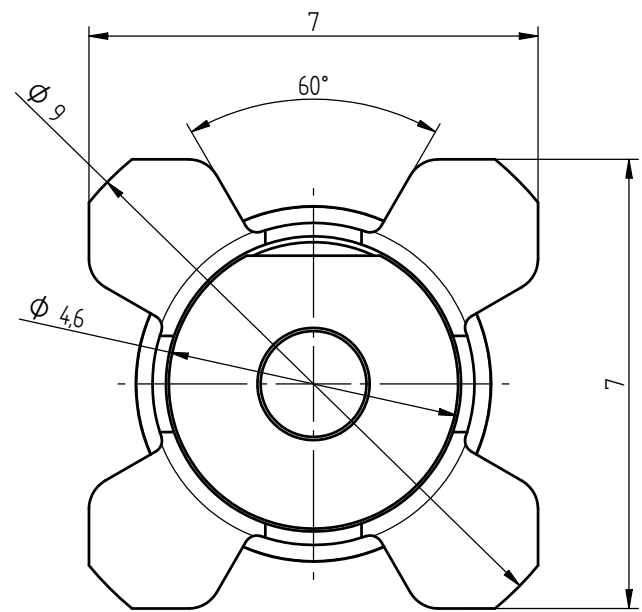
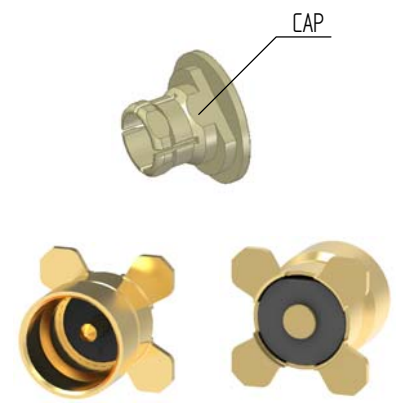
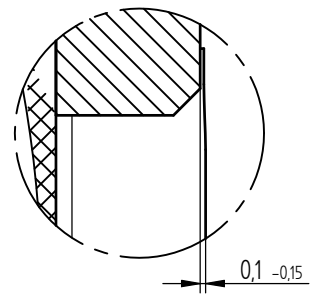


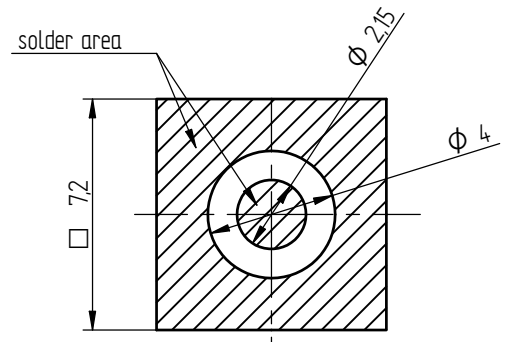
Revision history				
Change ID	Rev.	Alteration	Date	Name
design	A02	mod. dim.	20/06/09	dni
PEC_200000589_01	A03	add cap	20/07/22	dni
PEC_200000589_02	A04	add alternative pcb layout	24/11/22	dni



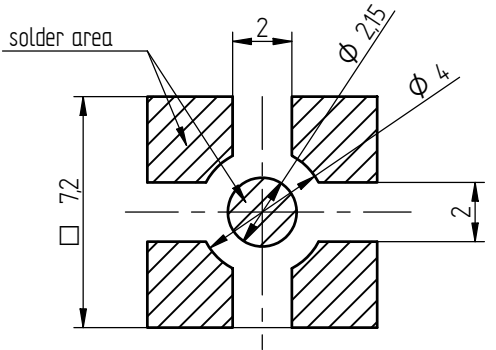
Tape and reel	AGK-6079
Parts/reel	700pcs
Parts/m	83,3
Forward run	0,3m
After run	0,4m
Reel length	9,4m
Reel diameter	330mm



alternative PCB layout



recommended PCB layout



Detail A
Scale 100:1

Interface: Limited detent

Projection - ISO 5456 	Unit system - Metric All dim. in [mm]	General tolerance ISO 2768 mH	Assembly instruction	Document type Acceptance drawing
Created by dni	Approved by Dony Ni	Title PSMP pcb mount plug	Drawing number 7816.PSMP.1010.00Z	Surface code
		Supplementary title PSMP pcb mount plug	Rev. A 04	Date of issue 24/01/2022
		Lang. EN	Sheet 1/1	Scale 5:1