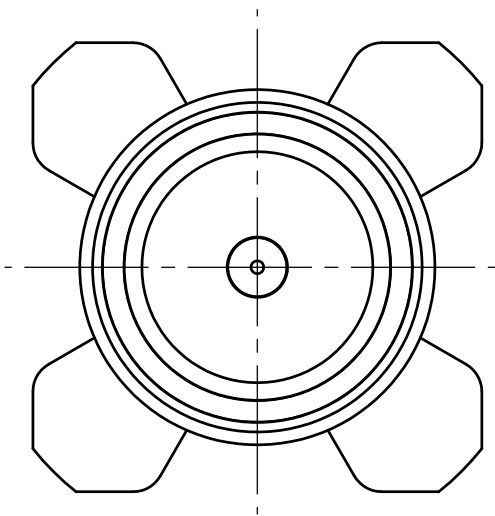
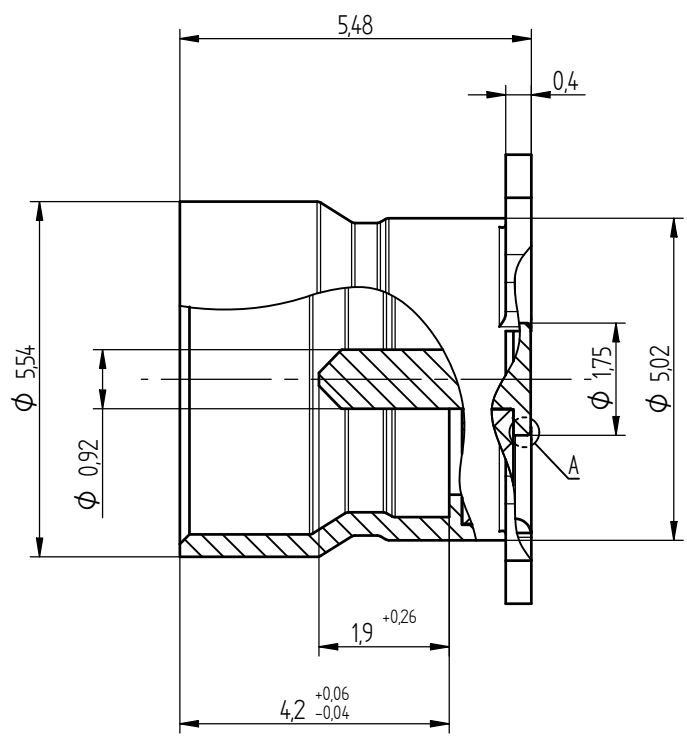
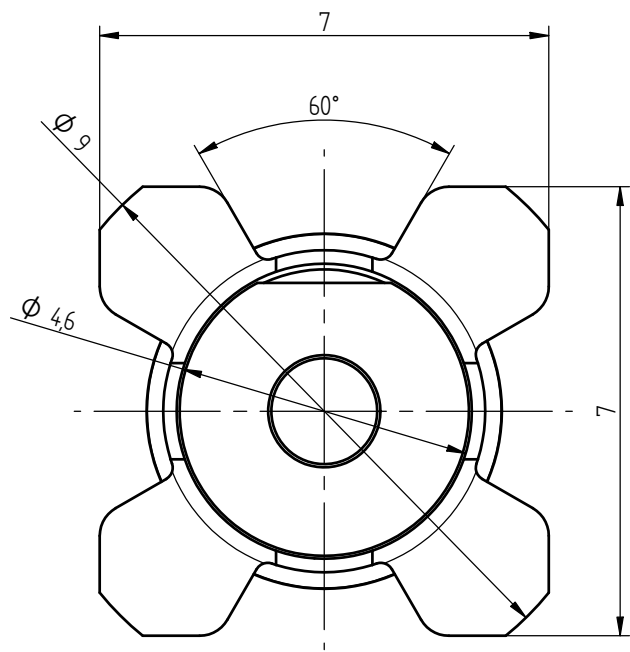
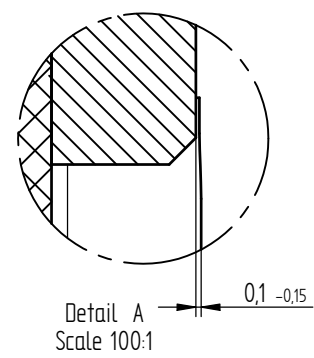


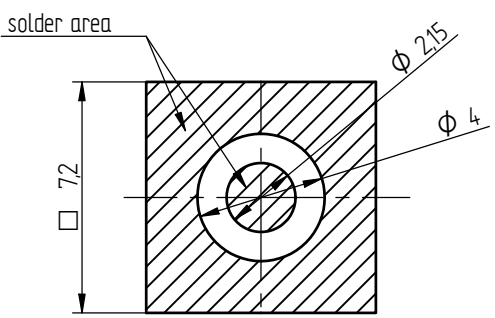
Revision history				
Change ID	Rev.	Alteration	Date	Name
PEC_11912_01	A02	add alternative pcb layout	24/11/22	dni



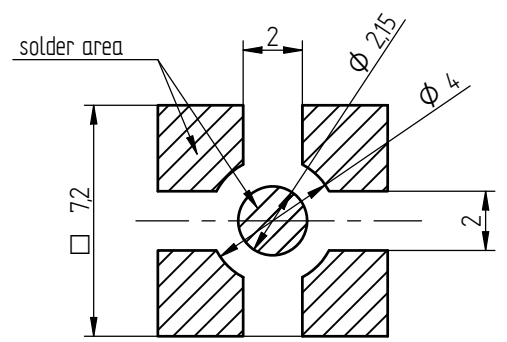
Tape and reel	AGK-6079
Parts/reel	700pcs
Parts/m	83,3
Forward run	0,3m
After run	0,4m
Reel length	9,4m
Reel diameter	330mm



alternative PCB layout



recommended PCB layout



Interface: Limited detent

Projection - ISO 5456 	Unit system - Metric All dim. in [mm]	General tolerance ISO 2768 mH	Assembly instruction	Document type Acceptance drawing
Created by carlos.sheng	Approved by Dony Ni	Title PSMP pcb mount plug	Drawing number 7818.PSMP.1010.00Z	Surface code 
Supplementary title PSMP pcb mount plug			Rev. A 02	Date of issue 30/06/2022
			Lang. EN	Sheet 1/2

