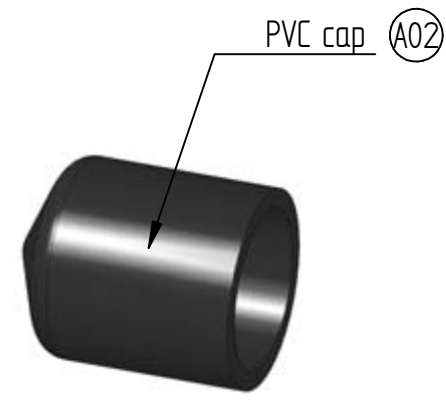
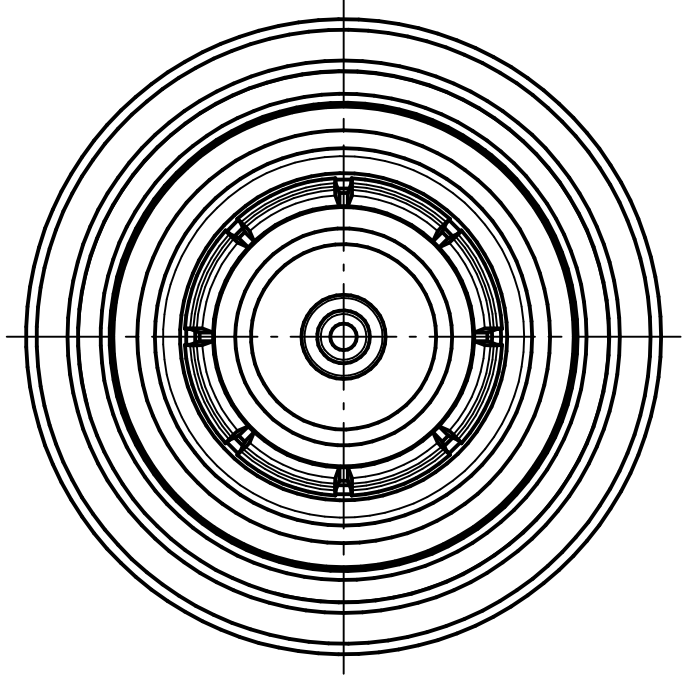
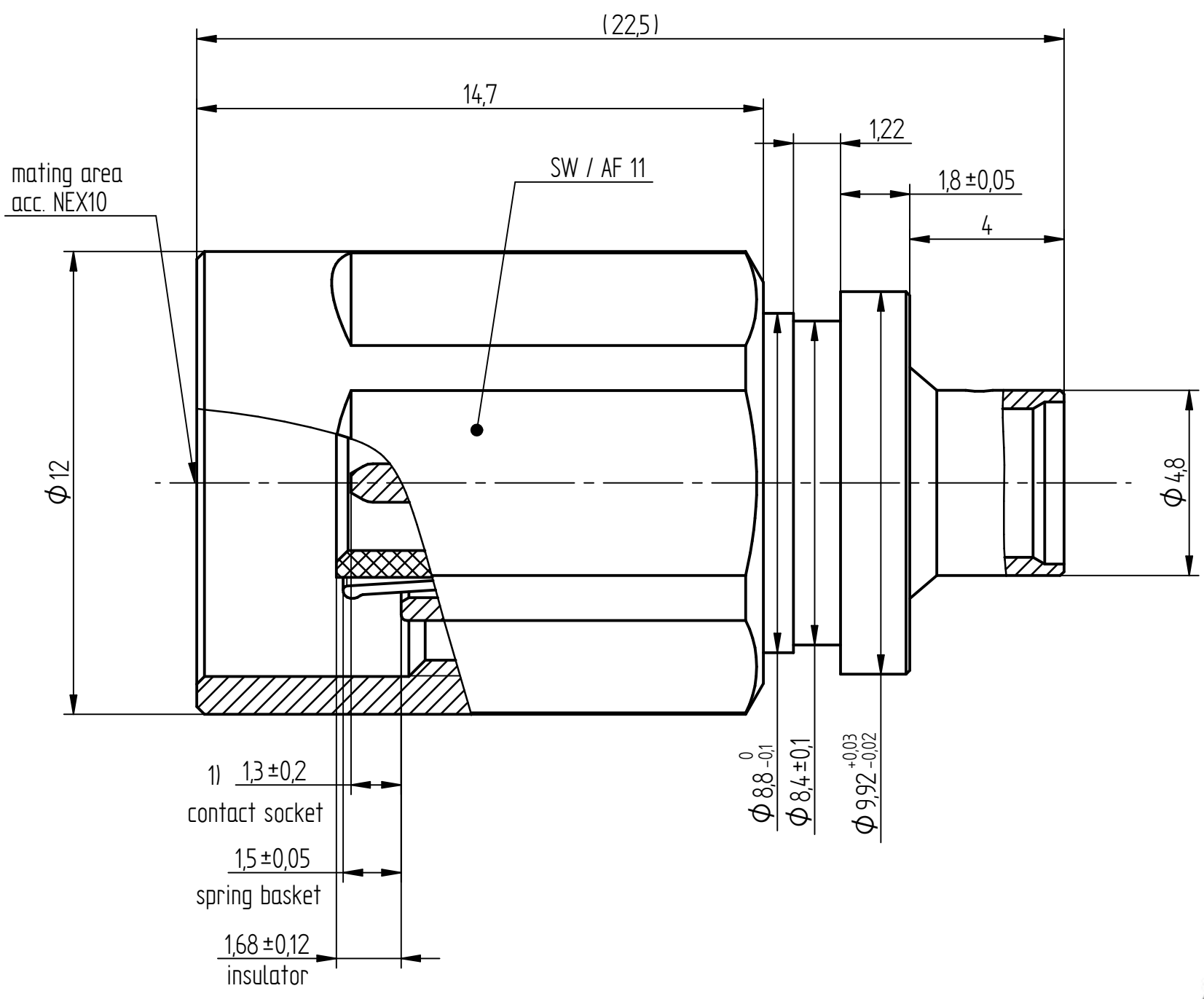
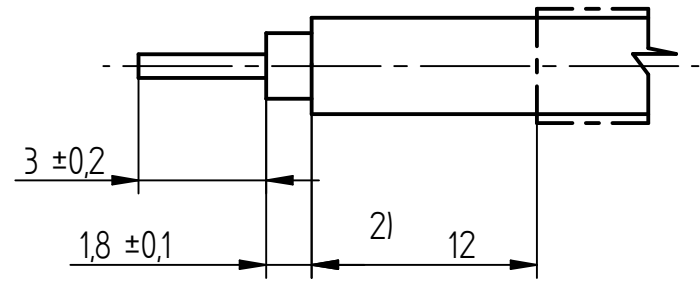
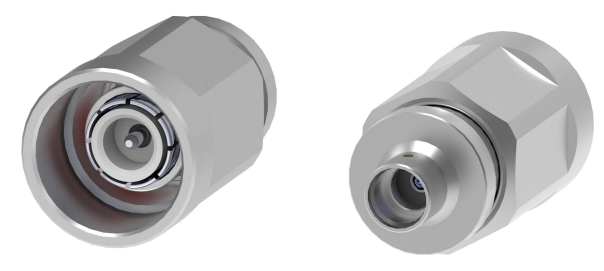


Status Release

Revision history				
Change ID	Rev.	Alteration	Date	Name
PEC_200000620_02	A02	add cap	070323	jun.chen



recommend cable stripping dimension for
 RG402 / Flexiform 402 / Sucoform 141, UT141 / 670-141 LSZH



2) stripping for cable with plastic jacket

1) Dimension after cable assembling (1,3±0,2).

Projection - ISO 5456 	Unit system - Metric ALL dim. in [mm]	General tolerance ISO 2768 mH	Assembly instruction	Document type Assembly drawing			
Created by yao.gu	Approved by dni	Title NEX10(m)-Cable mount plug	Drawing number 7842.NEX.1410.07Z		surface code	Scale 2:1	
IMS CONNECTOR SYSTEMS		Supplementary title NEX10(m)-Cable mount plug	Rev. A 02	Date of issue 31.05.2022	Lang. EN	Sheet 1/1	

ISO 16016
 All copyrights reserved. This drawing can neither be copied nor made available to third parties or competitor companies without our written permission.