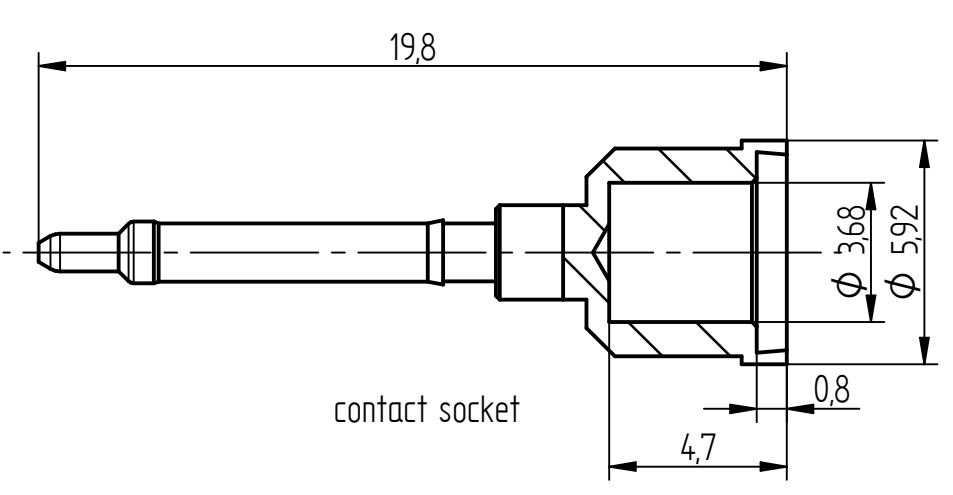
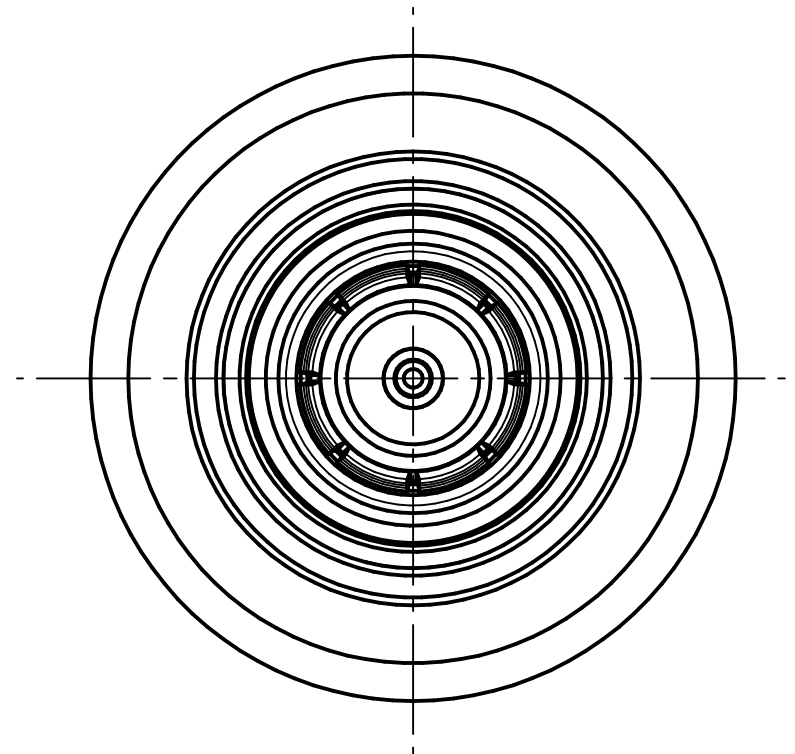
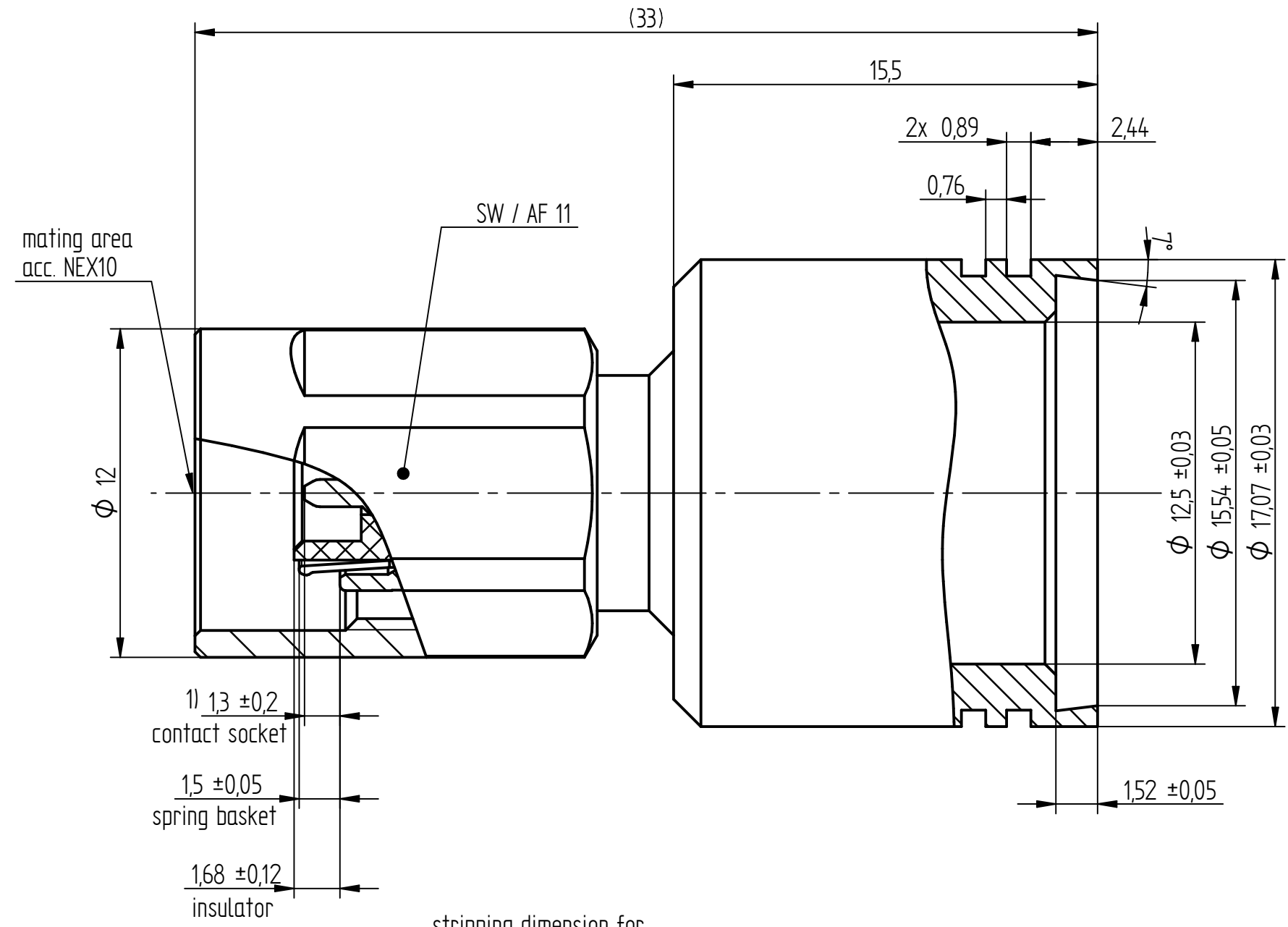
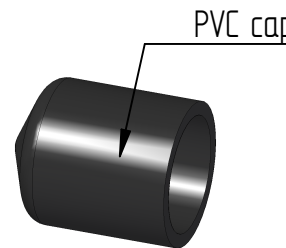
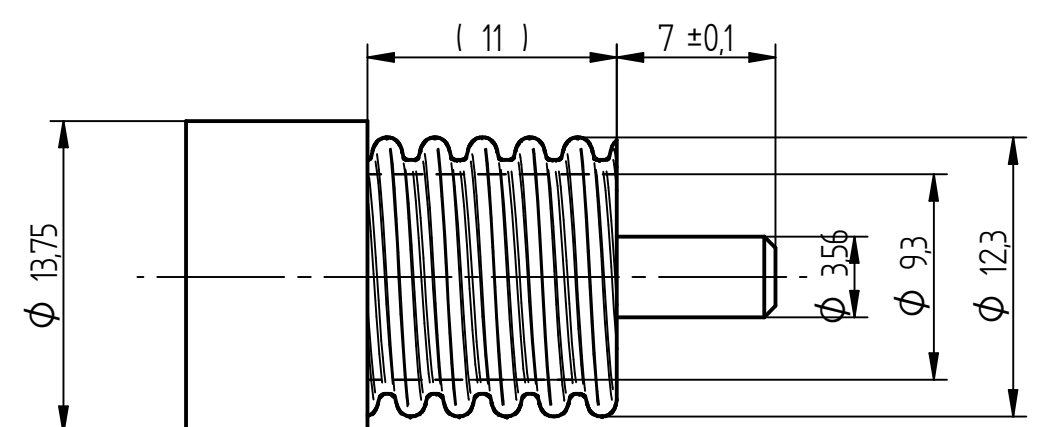


Status Check

Revision history				
Change ID	Rev.	Alteration	Date	Name
PEC_200000642_01	A02	change spring basket	28/10/22	yao.gu



stripping dimension for SCF12-50J 1/2" superflexible Foam-Dielectric coaxial cable  
 center contact: solder  
 outer contact: solder



1) Dimension after cable assembling (1,3±0,2).  
 2) Assembly instruction: M-298

Projection - ISO 5456 	Unit system - Metric All dim. in [mm]	General tolerance ISO 2768 mH	Assembly instruction	Document type Acceptance drawing			
Created by carlos.sheng	Approved by dni	Title NEX10 cable mount plug	Drawing number 7857.NEX.1010.08Z		surface code	Scale 5:1	
Supplementary title NEX10 cable mount plug			Rev. A 02	Date of issue 28.09.2022	Lang. EN	Sheet 1/1	



ISO 16016  
 All copyrights reserved. This drawing can neither be copied nor made available to third parties or competitor companies without our written permission.