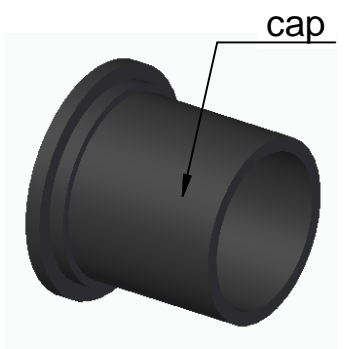
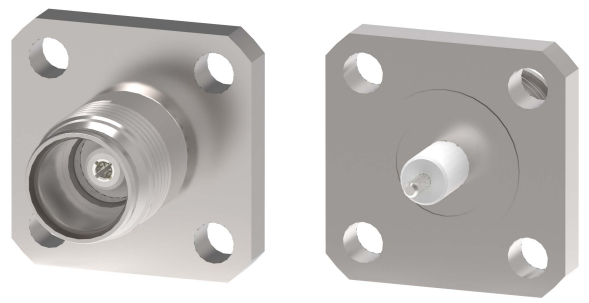
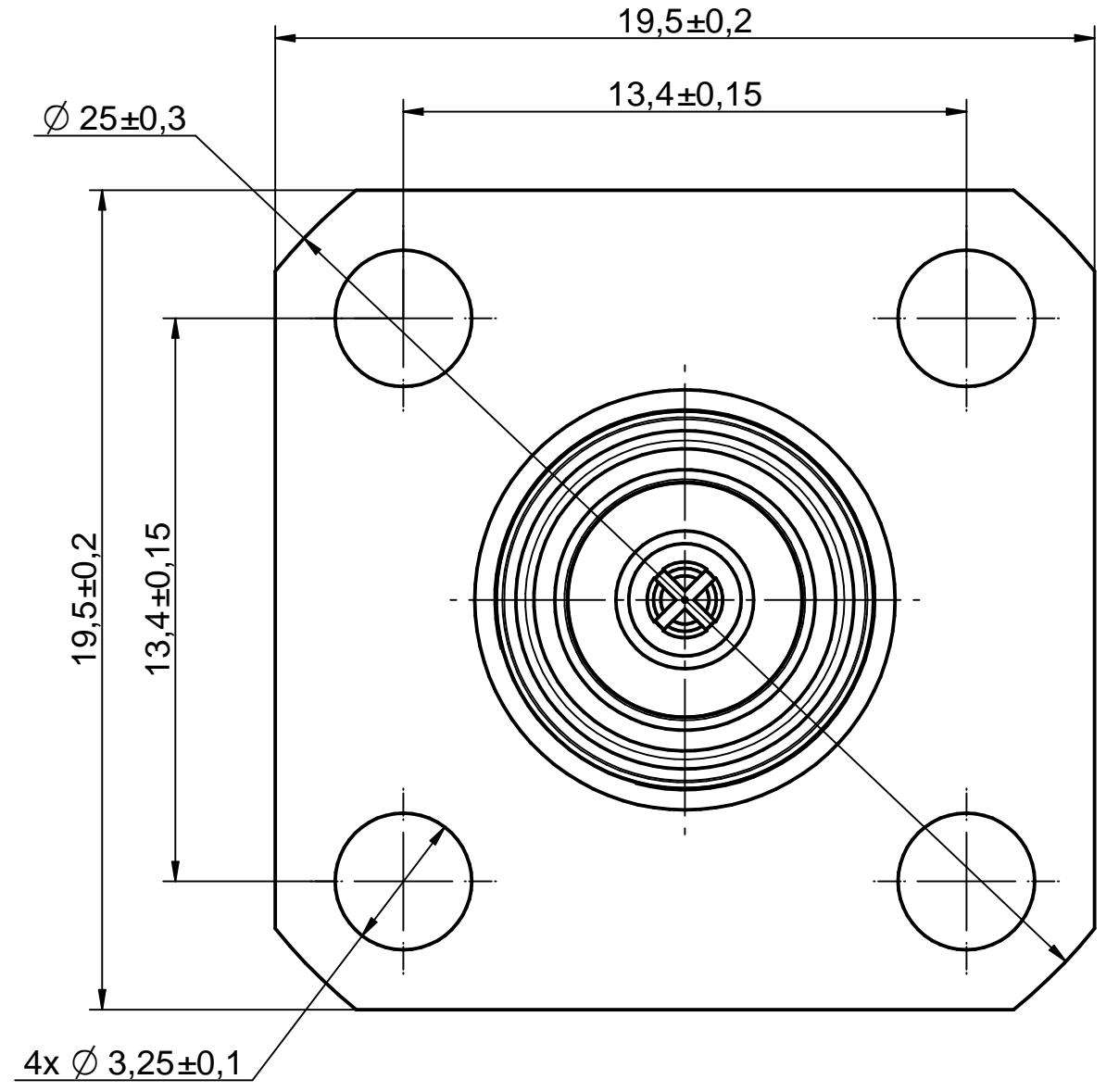
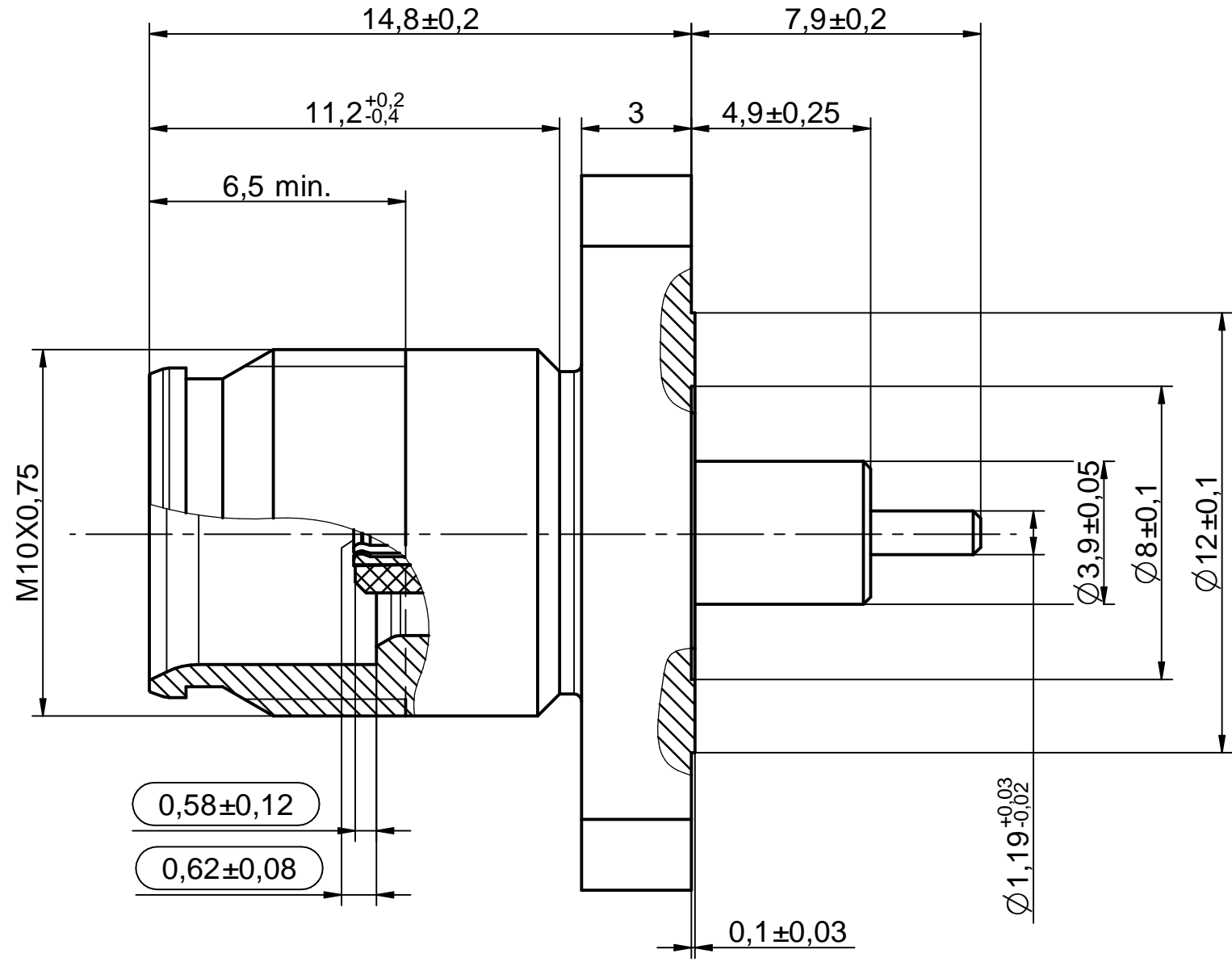


Status: Release

Revision history				
Change ID	Rev.	Alteration	Date	Name



Projection - ISO 5456 	Unit system - Metric All dim. in [mm]	General tolerance ISO 2768 mH	Note	Document type Acceptance drawing			
Created by dni	Approved by Yao Gu	Title NEX10 flange mount jack	Drawing number 7887.NEX.2018.19Z		surface code	Scale 2:1	
Supplementary title NEX10 flange mount jack			Rev. A 01	Date of issue 09.11.2023	Lang. EN	Sheet 1/1	



ISO 16016
All copyrights reserved. This drawing can neither be copied nor made available to third parties or competitor companies without our written permission.