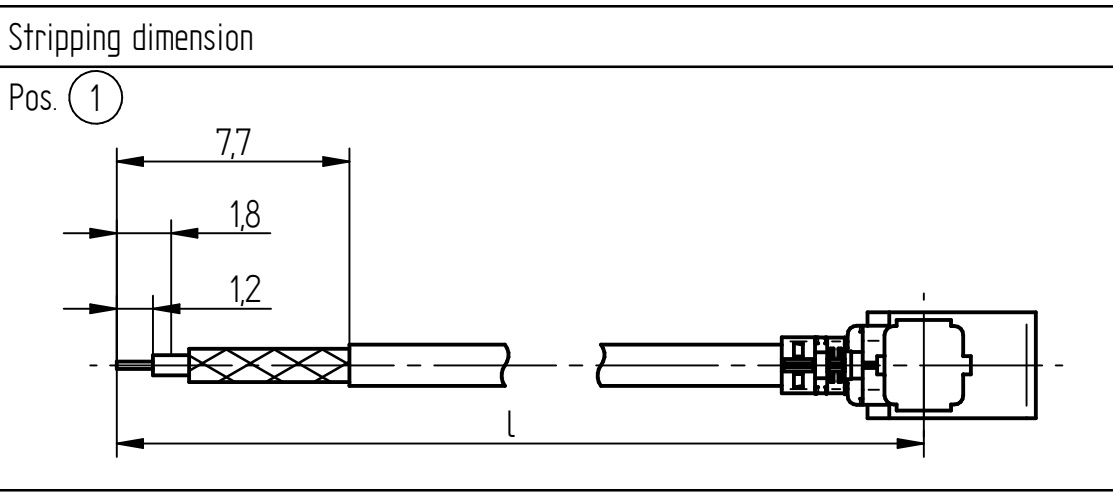


Pos.	Stk. Pcs.	Bezeichnung Description	Typ-Nr. Type-No.	Bemerkung Remark
①	1	QLS(f) - Kabelbuchse QLS(f) - Cable mount jack	4908.QLS.2312.045 (1077043)	
②	1	HF-Leitung flexibel RF-Flexible cable assembly	See chart on the right side!	
③	1	Schrumpfschlauch Shrink tube	1/8" schwarz / black (1134965)	Länge- Length: 12 <sup>+4</sup> <sub>-2</sub>
④				
⑤				
⑥				
⑦				

③ Stk. Pcs.	Kabel Cable	Kabel-Typ Cable-type	Zuschnittlänge l Cutting length l	Länge L1 Lenght L1	Länge L2 Lenght L2
1	K-3313-01	IPEX MHF 1 LK (1142222)	74,3±2	75±5	92,5±5
1	K-3313-02	IPEX MHF 1 LK (1142222)	149,3±2	150±5	167,5±5

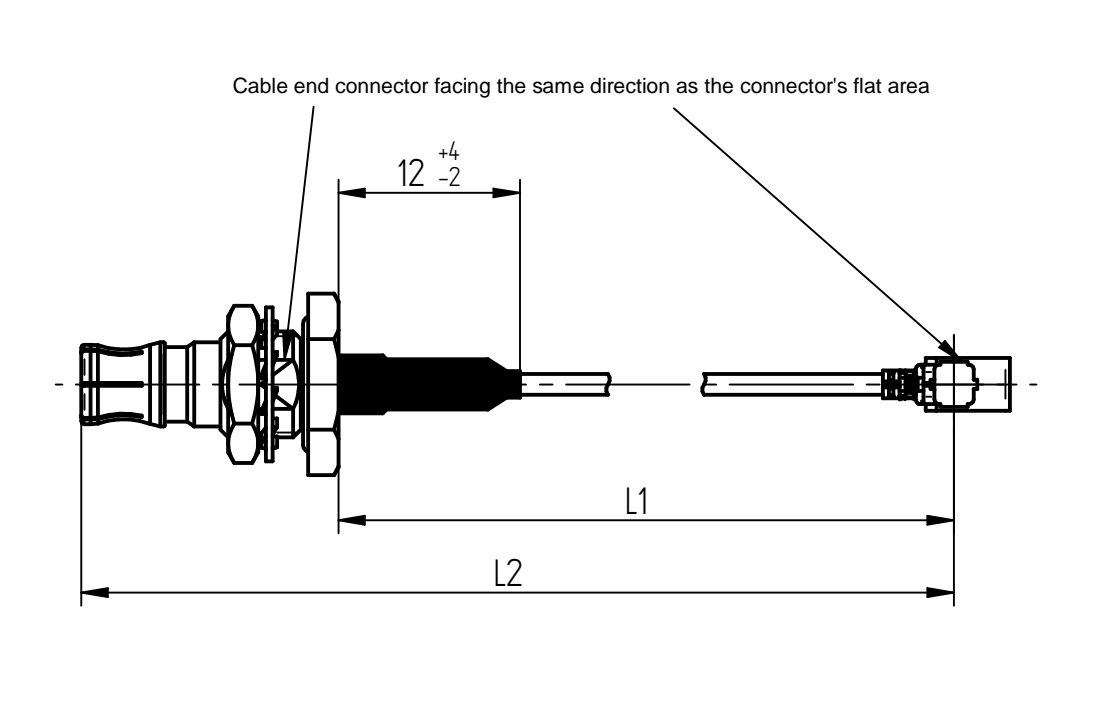
No. of cable	Pcs



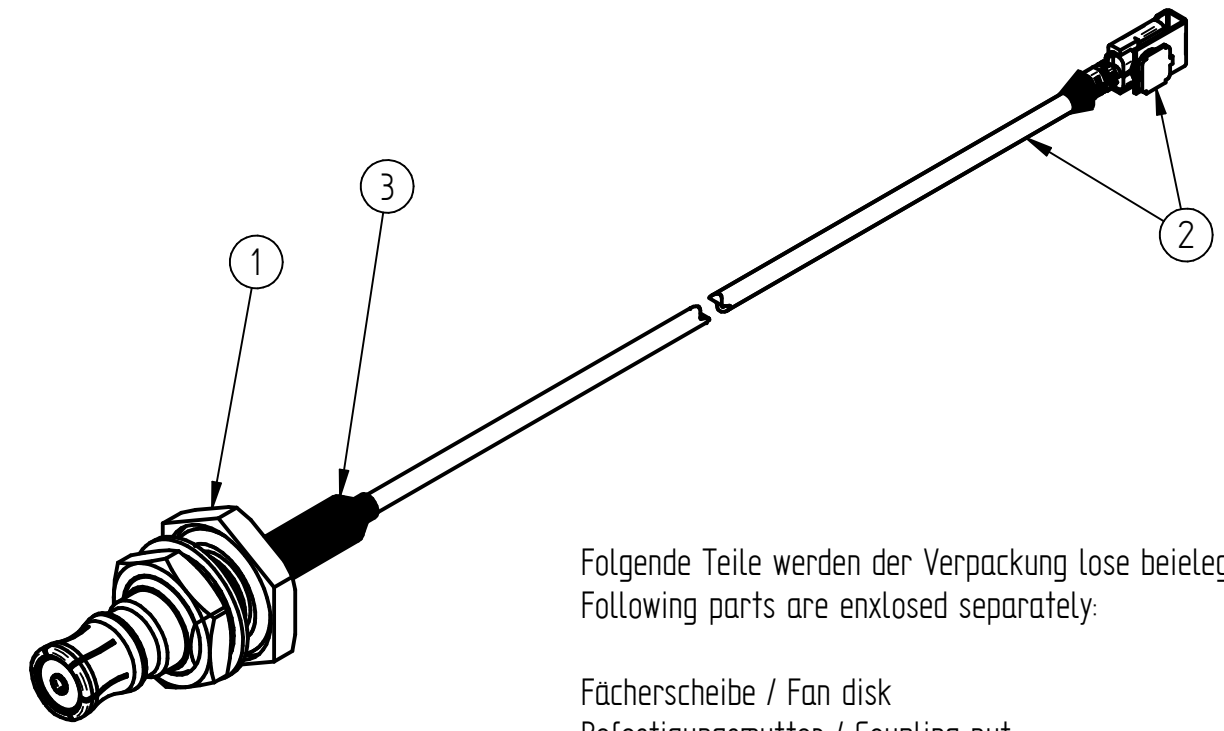
Remarks

Pos.1  
Aussen/Outer: crimp SW2,67 L=4mm 6/545  
Innen/Inner: AGK-4295

Pos.2  
Outer:  
Inner:



Prüfspannung: 500 Veff/50Hz  
Test-voltage: 500 Veff/50Hz



Folgende Teile werden der Verpackung lose beilegt:  
Following parts are enlosed separately:

Fächerscheibe / Fan disk  
Befestigungsmutter / Coupling nut  
Dichtring / Gasket

Change ID	Rev.	Alteration	Date	Name
Revision history				

Projection - ISO 5456 	Unit system - Metric ALL dim. in [mm]	General tolerance ISO 2768 mH	Stripping tolerance AA-CS-12 <i>HyperLink</i>	Document type Cable assembly drawing	
Created by lsefcsik	Approved by Pölz / 22.05.2023	Title RF-flexible cable assembly	Drawing number K-3313-XX	Scale 2:1	
<b>IMS CONNECTOR SYSTEMS</b>		Supplementary title HF-Leitung flexibel	Rev. A 01	Date of issue 19/05/2023	Lang. EN
					Sheet 1/1