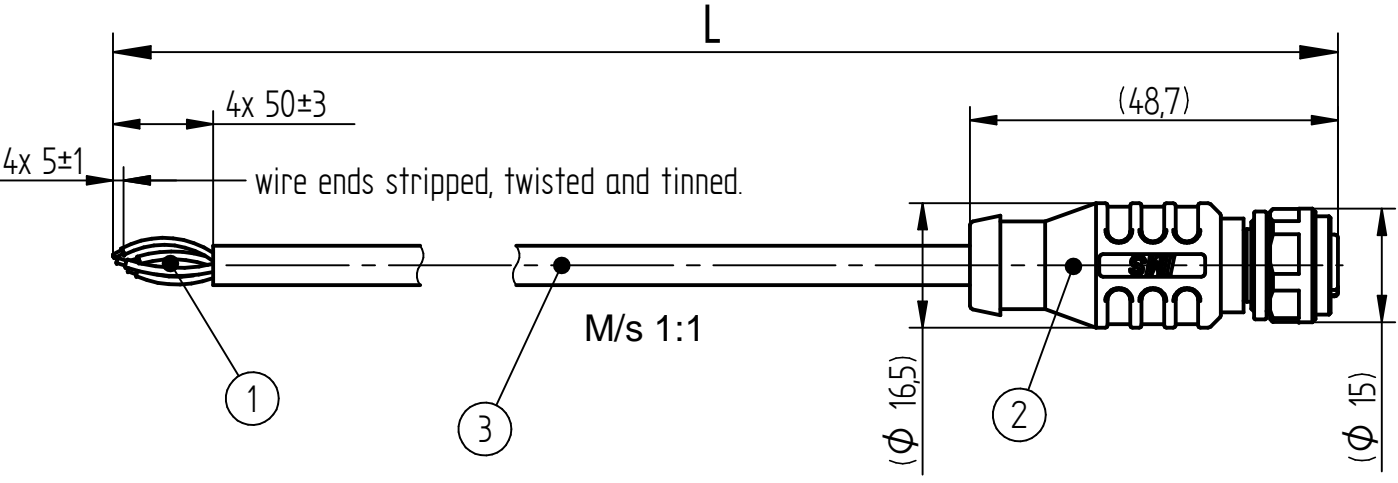
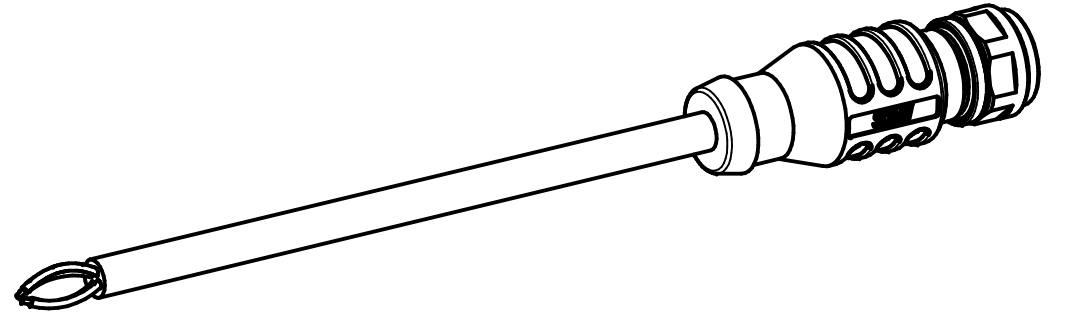
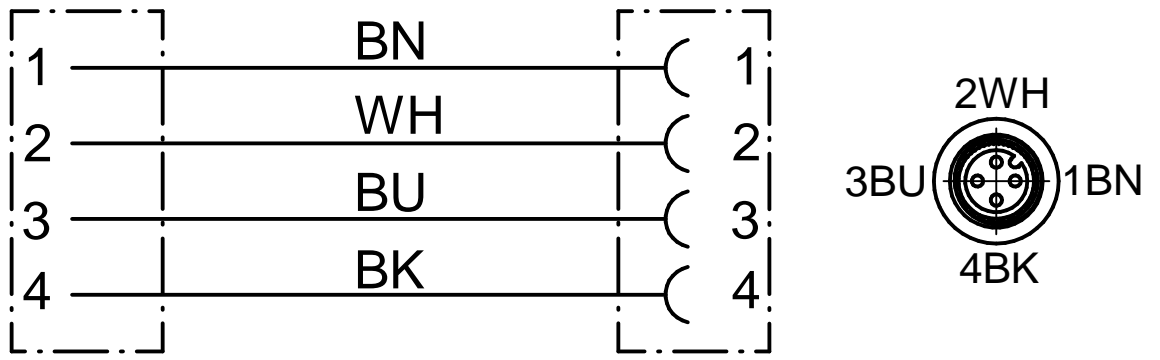


Pos.	Pcs.	Description	Remark
①	1	open wire (4x)	
②	1	SmartMod M12 female 4-pol. A-coded	
③	1	Kabel / cable	
④			
⑤			
⑥			
⑦			

③ Pcs.	Cable	Kabel - Unterbaugruppe / Cable sub-assembly	Art-Nr IMS / Part No. IMS	Laenge L / Length L
1	K-3335-01	SmartMod Kabel / SmartMod cable	1082433	1m +4%/-0%
1	K-3335-02	SmartMod Kabel / SmartMod cable	1082434	5m +4%/-0%
1	K-3335-03	SmartMod Kabel / SmartMod cable	1082435	10m +4%/-0%
1	K-3335-04	SmartMod Kabel / SmartMod cable	1082436	20m +4%/-0%

Siehe die elektrischen Eigenschaften in der Produktspezifikation!  
See the electrical properties in the product specification!



Revision history				
Change ID	Rev.	Alteration	Date	Name

Projection - ISO 5456 	Unit system - Metric All dim. in [mm]	General tolerance ISO 2768 mH	Assembly instruction	Document type Assembly drawing
Created by umayer	Approved by V. Taxali	Title SmartMod cable female	Drawing number K-3335-XX	Scale 1:1
<b>IMS CONNECTOR SYSTEMS</b>		Supplementary title SmartMod Kabel female	Rev. A 01	Date of issue 18.10.2023
			Lang. EN	Sheet 1/1